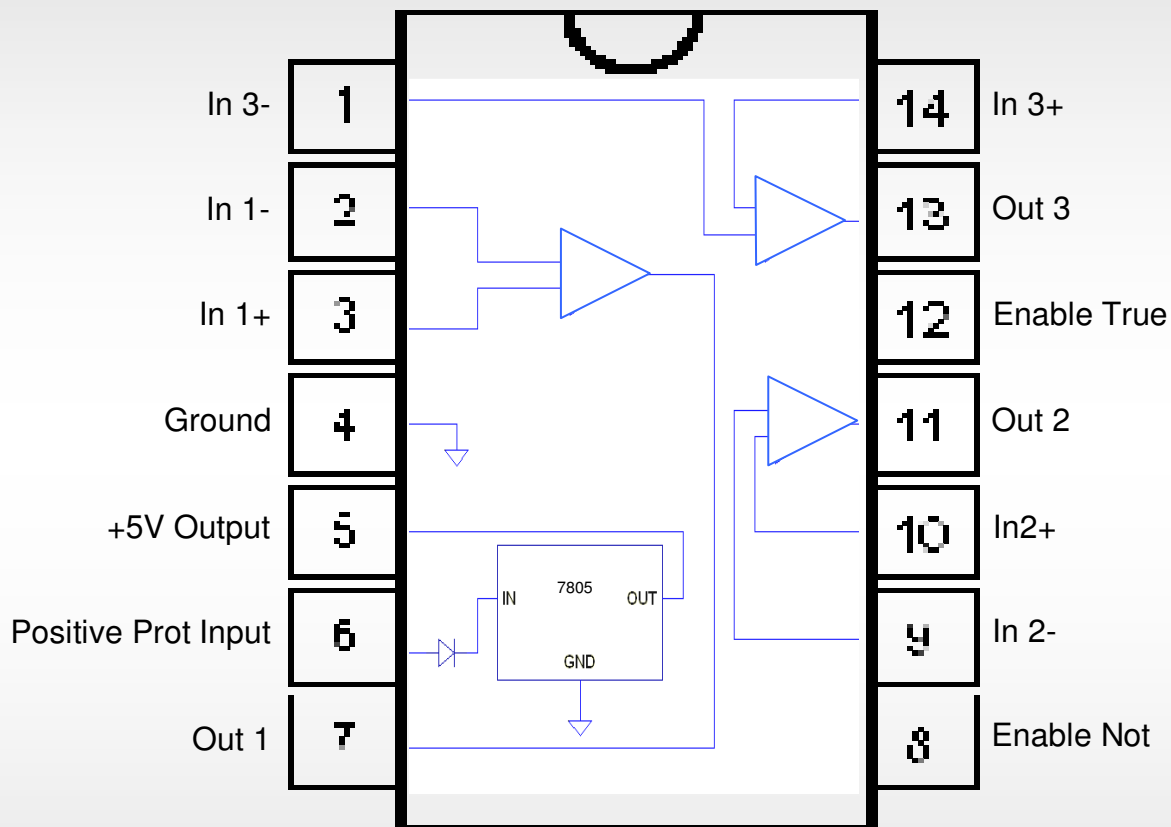


K4

+5V Fixed 1.5 Amp Regulator, Protection Diode, and 3 channels of AM26LS32 Line Receiver



+5V voltage regulator and AM26LS32 line receiver IC, residing in a single package. The +5V regulator input is protected by a series diode.

The enable function is common to all three receivers and offers a choice of active-high or active-low input which controls the tri-state outputs of the channels.